



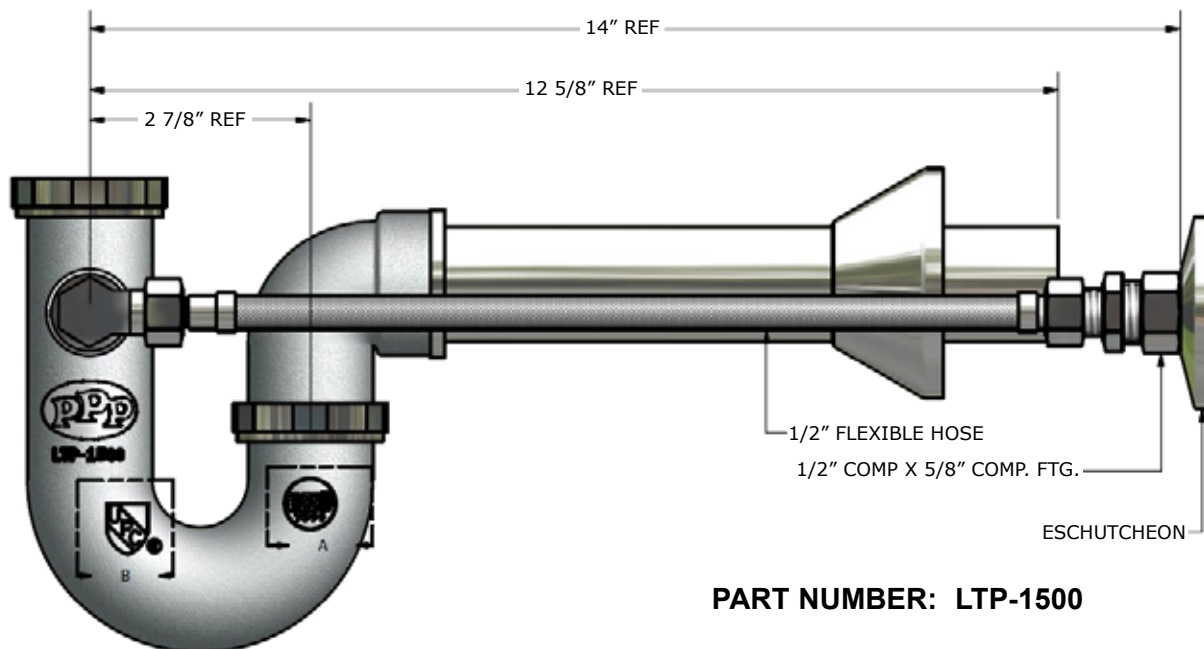
Precision Plumbing Products

"Specify with Confidence - Install with Pride"

TAIL PIECE TRAP PRIMER INSTALLATION

www.pppinc.net

- Insert slip joint nut onto tailpiece.
- Insert 1-1/2" or 1-1/4" slip joint washer onto tailpiece.
- Insert p-trap body onto lav tailpiece.
- Slide nut and washer onto p-trap body and lightly tighten.
- Insert deep wall escutcheon onto wall tube and push wall tube through waste hole in wall.
- Install slip joint elbow into p-trap body and lightly tighten.
- Align wall tube and slip joint elbow to allow the wall tube to be threaded into the slip joint elbow.
- Apply Teflon tape to compression elbow threads and 1/2" compression coupling.
- Thread compression elbow into p-trap body until tight and hose connection threads are towards wall.
- Insert small escutcheon onto primer tube protruding from wall.
- Install 1/2" compression coupling onto primer tube. Thread flexible braided hose onto compression elbow and 1/2" compression coupling.
- Tighten all nuts. Check for leaks.



PART NUMBER: LTP-1500



Precision Plumbing Products

802 SE 199th Ave
Portland, Oregon 97218

T (503) 256-4010

F (503) 253-8165

www.pppinc.net



Rev 04/22